

# STAGE SETS

## Pole Operated Pantograph

---

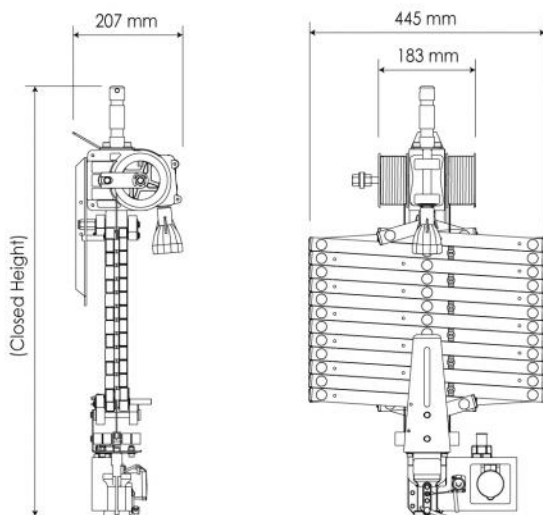


## SPECIFICATIONS

Working Load	Max.30 kg
Extended Length	Max. 3m
	Max. 4m
	Max. 5m
	Max. 6m
Closed Length	710mm
	762mm
	815mm
	890mm
Lifting Rope	Ø2mm Steel Wire
Top Mounting	Ø28mm Spigot
Bottom Mounting	Ø28mm Socket
Power Cable	3 x 2.5 mm <sup>2</sup>
Power Socket	CEE Panel Mounted Receptacle 16A (2P+E)
DMX	XLR-5
Self Weight	14.0 kg
	15.0 kg
	16.0 kg
	17.5 kg



## DIMENSIONS mm



# STAGE SETS

Tel: 55 8535 9810  
55 1948 2269

[www.stage-sets.com](http://www.stage-sets.com)